

BOEHMERS

operating under **Hargest Block Ltd.**

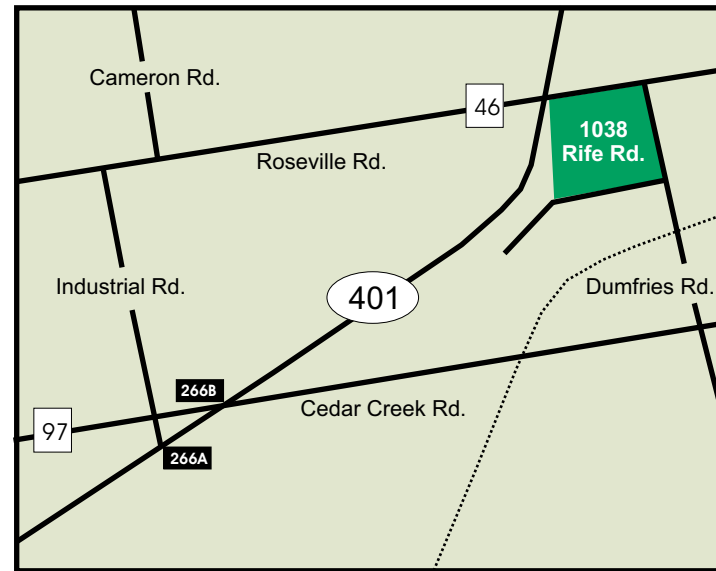
PO Box 25059, Kitchener ON, N2A 4A5

Administration 519-624-9082
 Fax 519-622-5451
 Credit 519-624-9677

BOEHMER BLOCK PHONE & FAX NUMBERS

7:30 AM to 5:00 PM

Direct to Plant 519-622-1131
 In-Watts Block Plant 1-800-265-3510
 Block Plant Fax 519-622-2912



TERMS AND CONDITIONS

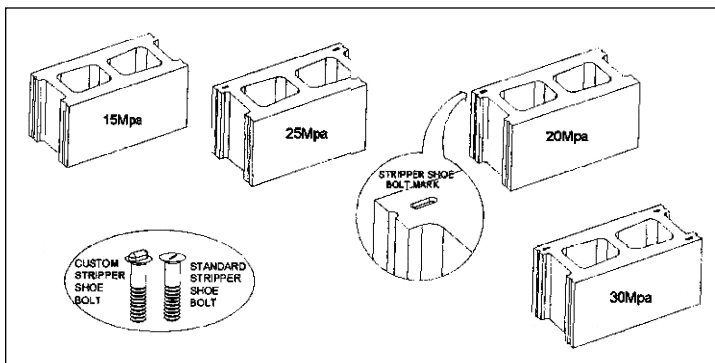
- Prices are subject to change without notice.
- Prices listed are for full load lots - 16 cubes or more.
- A delivery charge will apply to orders less than 16 cubes.
- Pricing is based on prompt unloading. Delays will be charged \$140.00 per hour, in 15 minute increments.
- Product in the wall is considered acceptance.
- Architectural Block are produced to order.
- The style, size and quantity must be specified by an authorized Purchase Order.
- A set-up charge of \$2,500.00 will apply to orders less than 2,800 units.
- An industry levy of \$.05 cents per unit applies to all sales.
- Industry discounts only apply when terms are met.
- Terms: Net 20th of the month following - interest charged on past due accounts.
- HST is extra.

RETURN POLICY

- Architectural Block products are manufactured to specific order. Full order quantities will be invoiced.
- Standard Block returned in full skids and accepted by Boehmers in resaleable condition are subject to a 50% restocking fee.
- No Refunds for part skids or accessories.
- A skid charge of \$20.00 applies.



BOEHMERS MPA DESIGNATION FOR CONCRETE BLOCK



GLOBAL WARMING

PART OF THE PROBLEM

PART OF THE SOLUTION



CARBOCLAVE

CONCRETE BLOCK

THE CONVERSION OF GASEOUS CO2 INTO SOLID REINFORCING CALCIUM CARBONATE IN CONCRETE

BOEHMERS

operating under **Hargest Block Ltd.**

1038 Rife Road, Cambridge, Ontario N1R 5S3 • Tel 519.622.1131 • Fax 519.622.5451
 Toll Free 1.800.265.3510 • Email customerservice@boehmerblock.com

www.boehmerblock.com



2018 PRICE LIST

ISO 9001:2015
 CERTIFIED

CONCRETE BLOCK PRICE LIST

CARBOCLAVED BLOCK PRICES
- F.O.B. JOB SITE -

DESCRIPTION	METRIC SIZES AVAILABLE												2018	
	5 cm		10 cm		15 cm		20 cm		25 cm		30 cm			
	Concrete	Light Weight	Concrete	Light Weight	Concrete	Light Weight	Concrete	Light Weight	Concrete	Light Weight	Concrete	Light Weight		
Stretcher			1.99	2.39	2.45	3.10	3.01	4.02	3.79	4.98	4.37	5.71		
Single & Double Bullnose			2.52	2.93	3.16	3.85	4.11	4.99	5.42	6.55	6.45	7.85		
Ashlar			1.92	2.22	2.65	2.82	2.93	3.41	3.98	4.60	4.55	5.36		
Bond Beam					3.27	3.88	4.25	5.06	5.61	6.66	6.67	7.77		
Solid 75%					3.06	4.13	4.65	5.37	5.89	7.05	7.24	8.72		
Semi-Solid							4.14	5.51	5.90	7.15	7.16	8.21		
Solid 100%	2.00	2.71	2.68	3.14	3.94	4.78	4.96	6.09	6.79	8.04	8.01	9.83		
Universal/Utility Pier Sash					3.20	3.81	4.14	4.89	5.53	6.54	6.46	7.62		
Utility Pier Sash half			1.91	2.46	2.34	3.03	2.92	3.81	3.94	4.86	4.60	5.59		
Return Corner			3.24	3.92	3.61	4.23			4.53	5.56	5.37	6.55		
Pilaster - Concrete	9.75		Chimney Block (Unit Price)				3.90		Beam Fill				600.00 per M	
Pilaster - Light Weight	10.75													
Poly Protection	3.50				Pallet Charge								20.00	
NOVEMBER 1 TO APRIL 15														
20cm 2 Hour Fire Rated Concrete	3.35													
BAG PRICES	AVAILABLE UPON REQUEST													
Other Accessories	AVAILABLE UPON REQUEST													

All products conform to C.S.A. Standard CAN3-A 165-14

Higher Strength Premiums:
\$.01 cent per centimetre (per 5 mpa over CSA - Standard)
eg. 20cm - 20 mpa Block = \$.20 cent Premium
25cm - 30 mpa Block = \$.75 cent Premium

CONCRETE BLOCK PRICE LIST

ARCHITECTURAL UNITS
- F.O.B. JOB SITE -

2018

DESCRIPTION	SIZES AVAILABLE	GREY CONCRETE	COLOURED CONCRETE			
Split, Standard/Ledge	10 cm stretcher	3.65	4.10			
Two Ribbed Split	15 cm stretcher	4.38	4.95			
Three Ribbed Split	20 cm stretcher	6.11	6.80			
Four Ribbed Split	25 cm stretcher	6.65	7.52			
Six Ribbed Split	30 cm stretcher	7.59	8.69			
Return L Corners	10 cm	6.55	7.33			
COLOURED STANDARD BLOCK						
Plain Standard Coloured	10 cm stretcher	2.97				
	15 cm stretcher	3.59				
	20 cm stretcher	4.46				
	25 cm stretcher	5.51				
	30 cm stretcher	6.33				
SCORED BLOCK						
Scored Block		GREY CONCRETE	LIGHT WEIGHT	COLOURED CONCRETE		
	10 cm stretcher	3.22	4.10	4.19		
	15 cm stretcher	3.81	5.84	4.82		
	20 cm stretcher	5.07	6.18	6.36		
	25 cm stretcher	6.15	7.64	7.85		
30 cm stretcher	6.95	9.23	8.38			
THERMA bloc™						
Split Face		GREY CONCRETE		COLOURED CONCRETE		
	Two Ribbed Split	20 cm stretcher		6.65	7.25	
	Three Ribbed Split	25 cm stretcher		6.99	7.85	
	Four Ribbed Split	30 cm stretcher		7.85	8.85	
Six Ribbed Split						
Standard Therma Block	20 cm stretcher	4.85		5.29		
	25 cm stretcher	5.10		6.28		
	30 cm stretcher	5.75		6.95		
COLOURED SELECTION WITH WATER REPELLENT ADDED						
Grey Salmon	Kopper Buff	Goldenrod Chamois	Misty Grey London Range	Charcoal Grey Autumn Blend	Taupe Huron Range	Pioneer Brown Shadow Grey

Note: Custom Colours Available upon Request

Boehmers Carboclave Block sequesters 0.5 lbs of CO₂ per 20 cm unit